

TECHNICAL DATA SHEET OF THE PRODUCT

Flexible hose RAFTEC GG 1/2"x1/2"

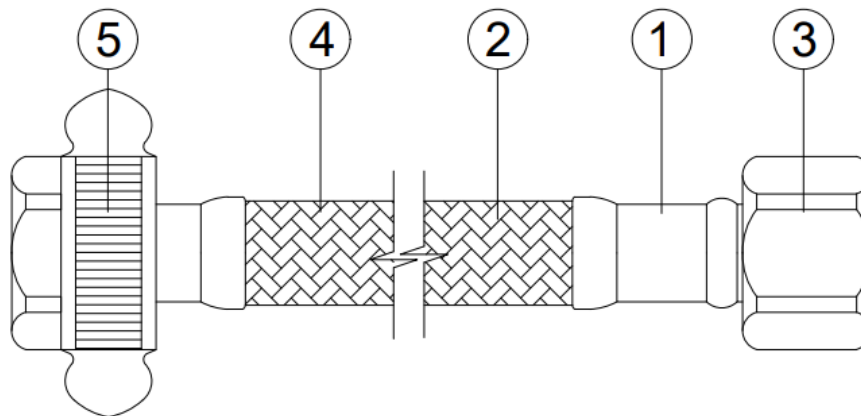
1. Purpose and scope of application

Flexible hose - these are bends of the eyeliner with union nuts from the wallpaper of the ends. They are intended for connection to the pipelines of water supply devices, heating, plumbing equipment, household appliances, for obtaining water.

2. Technical specifications

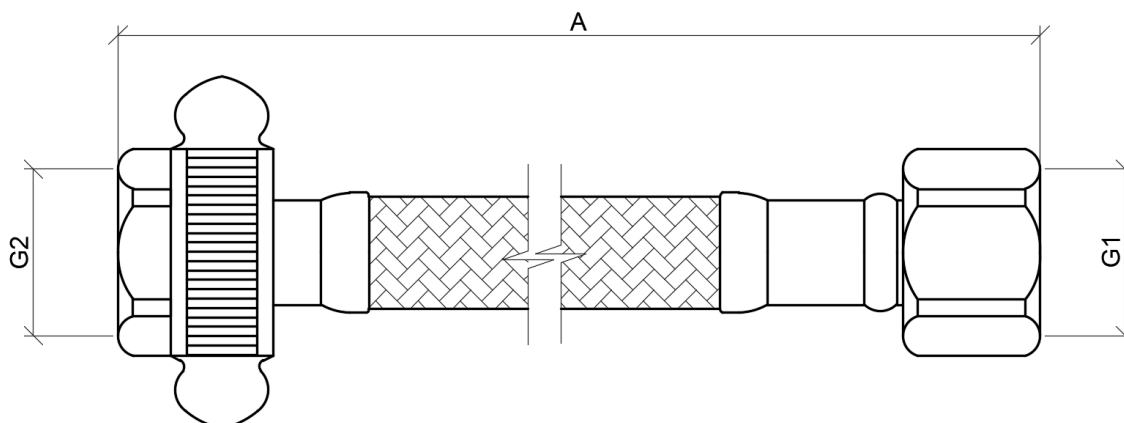
№	Characteristic	Unit of measurement	Meaning
1	Nominal diameter, Dy	Bar	10
2	Maximum allowable pressure	bar	20
3	Temperature range of the working medium	°C	Up to 90
4	Maximum working medium temperature	°C	Up to 100
5	Working medium	°C	Water: glycol solution
6	Internal diameter of the rubber hose	MM	8,5±0,5
7	Outer diameter of the rubber hose	MM	12,5±0,5
8	Flow due to supply during a pressure difference of 300 kPa	L/min	40
9	Minimum allowable bending radius	mm	65
10	Internal diameter of the nipple	mm	6,2
11	Maximum tightening torque of the union nut and end nipple	Hm	2,0
12	Maximum tightening torque of the nipple for the mixer	Hm	1,0
13	Average full service life, years	years	5

3. Construction and materials



№	Name of element	Material	Material grade according to standards
1	Press sleeve	Stainless steel	AISI304
2	Rubber sleeve	Ethylene-propylene-diene-monomer	EPDM
3	Under nut	Hot-pressed brass	CW617N
4	Braiding	Nylon	-
5	Key for clamping nut	Plastic	ABS

4. Nomenclature and overall dimensions



Article	Size	G1,mm	G2,mm	A,mm
PFHFF030	1/2"x1/2"	1/2"	1/2"	300
PFHFF 040	1/2"x1/2"	1/2"	1/2"	400
PFHFF 050	1/2"x1/2"	1/2"	1/2"	500
PFHFF060	1/2"x1/2"	1/2"	1/2"	600
PFHFF080	1/2"x1/2"	1/2"	1/2"	800
PFHFF100	1/2"x1/2"	1/2"	1/2"	1000
PFHFF120	1/2"x1/2"	1/2"	1/2"	1200
PFHFF150	1/2"x1/2"	1/2"	1/2"	1500
PFHFF200	1/2"x1/2"	1/2"	1/2"	2000

5. Installation instructions

1. Installation can be performed by a specialist or a specialized organization.
2. The taps can be installed in any installation position.
3. The fittings must not be subject to loads from the pipeline (bending, compression, stretching, torsion, distortion, vibration, misalignment of pipes, uneven tightening of the fasteners). If necessary, supports or compensators must be provided to reduce the load on the fittings from the pipeline.
4. The misalignment of the connecting pipelines must not exceed 3 mm for a length of up to 1 m plus 1 mm for each subsequent meter.
6. After installation, the system units must be tested for leaks using a hydraulic or pneumatic method.
7. Coupling connections must be made without exceeding the permissible torques specified in the table of this passport and it is recommended to use ordinary lever wrenches.
- 8 Coupling connections must be made using FUM (fluoroplastic sealing material) as sealing materials.
9. Using adjustable or lever wrenches to install the tap is not allowed.
10. When installing the union nut of the flexible hose, use the gaskets supplied with the hose. This connection does not require additional sealing.

6. Operating and maintenance instructions

1. During operation, the valve is periodically serviced by checking the stroke of the stem until it is fully open and closed and there is no leakage (if necessary, tighten the gland nut).
2. The valves must be operated under the conditions specified in the technical specifications table.
3. It is not allowed to use ball valves as control valves, the valve has only two positions - fully open or closed.
4. It is not allowed to operate the valves with a loose handle fastening nut, as this may lead to breakage of the stem.
5. It is prohibited to allow the working medium inside the valve to freeze. When draining the system in winter, the valve must be left half-open so that the working medium does not remain in the voids along the valve.

7. Possible malfunctions and ways to eliminate them

Malfunction	Reason	Solution
Leak from under the coupling	Poor sealing of the joint	Disassemble the connection, replace the seal
Leak from under the handle	Worn gland seal.	Remove the handle. Replace the cartridge.

8. Warranty obligations

1. The manufacturer guarantees that the products comply with safety requirements, provided that the consumer complies with the rules of use, transportation, storage, installation and operation.
2. The warranty covers all defects that arose due to the fault of the manufacturer.
3. The warranty does not cover defects that arose in the following cases:
 - violation of the passport modes of transportation, storage, installation, operation and maintenance of the product;
 - improper transportation and loading and unloading operations;
 - the presence of traces of exposure to substances aggressive to the materials of the product;
 - the presence of damage caused by fire, the elements, force majeure;
 - the presence of damage caused by incorrect actions of the consumer;
 - the presence of traces of outside interference in the design of the product.
4. It is necessary to fill out the warranty card on the manufacturer's website "raftec.ua" in the "technical literature" section.
5. The manufacturer reserves the right to make changes to the design of the product that do not affect the declared technical characteristics.

9. Warranty service conditions

1. Claims regarding the quality of the product may be made during the warranty period.
2. Defective products are repaired or exchanged for new ones free of charge during the warranty period. The decision to replace or repair the product is made by the service center. The replaced product or its part received as a result of repair becomes the property of the service center.
3. Expenses associated with dismantling, installation and transportation of the defective product during the warranty period are not reimbursed to the Buyer.
4. In cases where the claim is unfounded, the costs of diagnostics and examination are paid by the Buyer.
5. Products are accepted for warranty repair (as well as upon return) fully assembled.

WARRANTY CARD № _____

Name of the product _____

Brand, article, standard size _____

Number _____

Name and address of the trading organization _____

Date of sale _____ Seller's signature _____

Stamp or seal

Trading organization

I AGREE with the terms:

BUYER _____

(signature)

The warranty period is ten years (one hundred and twenty months) from the date of sale to the final consumer.

When making claims about the quality of the goods, the buyer provides the following documents:

1. An application in an arbitrary form, which specifies:

- name of the organization, buyer's full name, actual address and contact phone number;
- name and address of the organization that performed the installation;
- the main parameters of the system in which the crane was used;
- short description of the defect;

2. Document proving the purchase of the product;

3. Act of hydraulic testing of the system in which the product was installed;

4. A completed warranty card, which is issued on the manufacturer's website «raftec.ua».

Noting the return or exchange of the product: _____

Date _____ yr. Signature: _____
