



TECHNICAL DATA SHEET OF THE PRODUCT

Manifold with control valves

1. Purpose and scope of application

1.1. Collectors are designed to distribute the flow to consumers. Consumer – a separate device or group of devices, a circuit or loop of "warm floor", separate parts or branches of the system.

1.2. Collectors can be used for pipelines of cold (including drinking) and hot water, heating, compressed air, as well as on process pipelines transporting liquids that are non-aggressive to the materials of the elements of the collector system.

1.3. Collectors with control valves allow you to compensate for the costs of consumers.

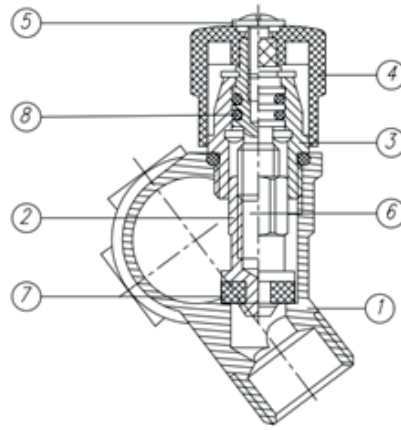
1.4. Collectors with ball valves allow you to turn off each individual device.

1.5. Steel, polymer, metal-polymer and copper pipes can be connected to collectors.

2. Technical specifications

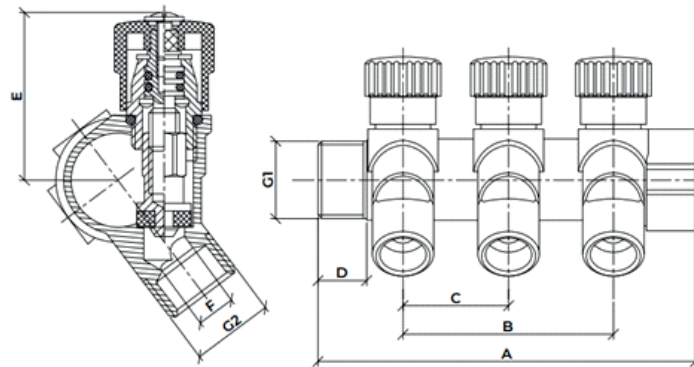
No	Characteristic	Designation
1	Number of outputs	2-4
2	Maximum working environment temperature, °C	110
3	Nominal pressure, bar	10
4	Maximum ambient air temperature of the collector, °C	120°C
5	Maximum pressure drop, bar	15
6	Flow rate Kv at the number of revolutions from a fully closed valve, m ³ /h:	
	1/4	0,15
	1/2	0,28
	3/4	0,45
	1	0,6
	1 1/2	1,4
	2	1,88
	3,5	2,12

3. Construction and materials



№	Element name	Material	Material grade according to standards
1	Body	Hot pressed brass nickel plated	CW617N
2	Valve	Hot pressed brass nickel plated	CW617N
3	Valve coupling	Hot pressed brass nickel plated	CW617N
4	Adjustment handle	Acrylic butadiene styrene	ABS
5	Screw	-	-
6	Valve stem	Hot pressed brass nickel plated	CW617N
7	Coil seal	Ethylene-propylene-diene monomer	EPDM
8	Shaft seal	Ethylene-propylene-diene monomer	EPDM

4. Nomenclature and overall dimensions



Manifold with control valves											
Article	Output	Size	G1	G2	A,mm	B,mm	C,mm	D,mm	E,mm	F,mm	Weight, gr.
KK03012	2	1"x1/2"x2	1"	1/2"	95	-	36	17.5	44	10	395.5
KK03013	3	1"x1/2"x3	1"	1/2"	131	72	36	17.5	44	10	556.5
KK03014	4	1"x1/2"x4	1"	1/2"	167	108	36	17.5	44	10	772.5
KK02012	2	3/4"x1/2"x2	3/4"	1/2"	93	-	36	17.5	44	10	326.5
KK02013	3	3/4"x1/2"x3	3/4"	1/2"	129	72	36	17.5	44	10	461.5
KK02014	4	3/4"x1/2"x4	3/4"	1/2"	165	108	36	17.5	44	10	631.5

5. Care and instructions for installation

1. The collectors were installed in special sanitary cabinets.
2. The balancing of the circulation circuits is carried out using additional control valves equipped with vitratomers.
3. The collector assembly must work at the pressure and temperature specified in the table of technical parameters.
4. After testing the hydraulic unit, it is necessary to tighten the connection nuts.

6. Warranty obligations

1. The manufacturer guarantees that the products comply with safety requirements, provided that the consumer complies with the rules of use, transportation, storage, installation and operation.
2. The warranty covers all defects caused by the manufacturer's fault.
3. The warranty does not cover defects that occur in the following cases:
 - violation of passport regimes for transportation, storage, installation, operation and maintenance of the product;
 - improper transportation and loading and unloading operations;
 - the presence of traces of exposure to substances that are aggressive to the product materials;
 - the presence of damage caused by fire, natural disasters, force majeure circumstances;
 - the presence of damage caused by incorrect actions of the consumer;
 - the presence of traces of third-party interference in the design of the product.
4. The manufacturer reserves the right to make changes to the product design that do not affect the declared technical characteristics.

7. Warranty terms and conditions

1. Claims for the quality of the goods may be made during the warranty period.
 2. Defective products during the warranty period are repaired or exchanged for new ones free of charge. The decision to replace or repair the product is made by the service center. The replaced product or its part obtained as a result of the repair becomes the property of the service center.
 3. The costs associated with dismantling, installation and transportation of the defective product during the warranty period are not reimbursed to the Buyer.
 4. In cases where the claim is unfounded, the costs of diagnostics and examination are paid by the Buyer.
 5. Products are accepted for warranty repair (as well as when returned) fully equipped.
-

WARRANTY CARD № _____

Product name _____

Brand, article, size _____

Quantity _____

Name and address of the trading organization _____

Date of sale _____ Seller's signature _____

Stamp or seal
of the trading organizationI AGREE with the conditions:
BUYER _____
(signature)

The warranty period is seven years (eighty-four months) from the date of sale to the end consumer.

When making claims regarding the quality of the goods, the buyer shall provide the following documents:

1. A statement in any form, indicating:
 - name of the organization, full name of the buyer, actual address and contact phone number;
 - name and address of the organization that performed the installation;
 - main system parameters;
 - short description of the defect;
2. Document proving the purchase of the product;
3. Hydraulic test certificate of the system in which the product was installed;
4. A completed warranty card issued on the manufacturer's website «raftec.eu».

Return or exchange mark: _____

Date _____ y. Signature: _____
